



Paving by excavator with the Optimas clamp.

Paver Clamp attached to Excavator

The versatile hydraulic clamp can also be mounted within mere minutes to various other carriers. These may be excavators wheel loaders, backhoes, forklifts, special machines etc. The suspension at the carrier vehicle and the hydraulics control system are accordingly adjusted. The subsequent functional scope and principle is identical with the clamp of the paver laying machine.

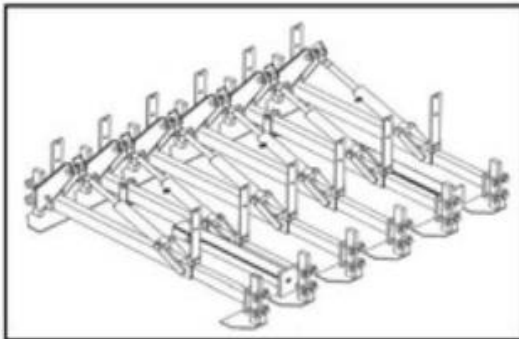
The hydraulic clamp can be continuously adjusted to all pavestone formats, stone positions, and pavestone thicknesses. And can shift rectangular and square stones into the running bond pattern.

The hydraulic clamp represents an ideal entry-model into machine-assisted paving ... a later attachment of the same to the Optimas pavestone paving machine is possible!

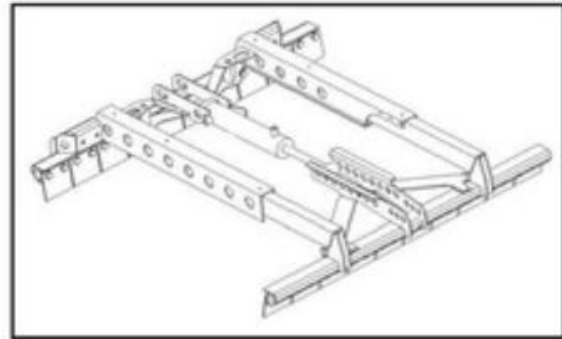
Optimas – all gripper systems from one source.

These are:

Optimas Paver clamp „Multi6“
(6 gripper arms with 6 cylinders)

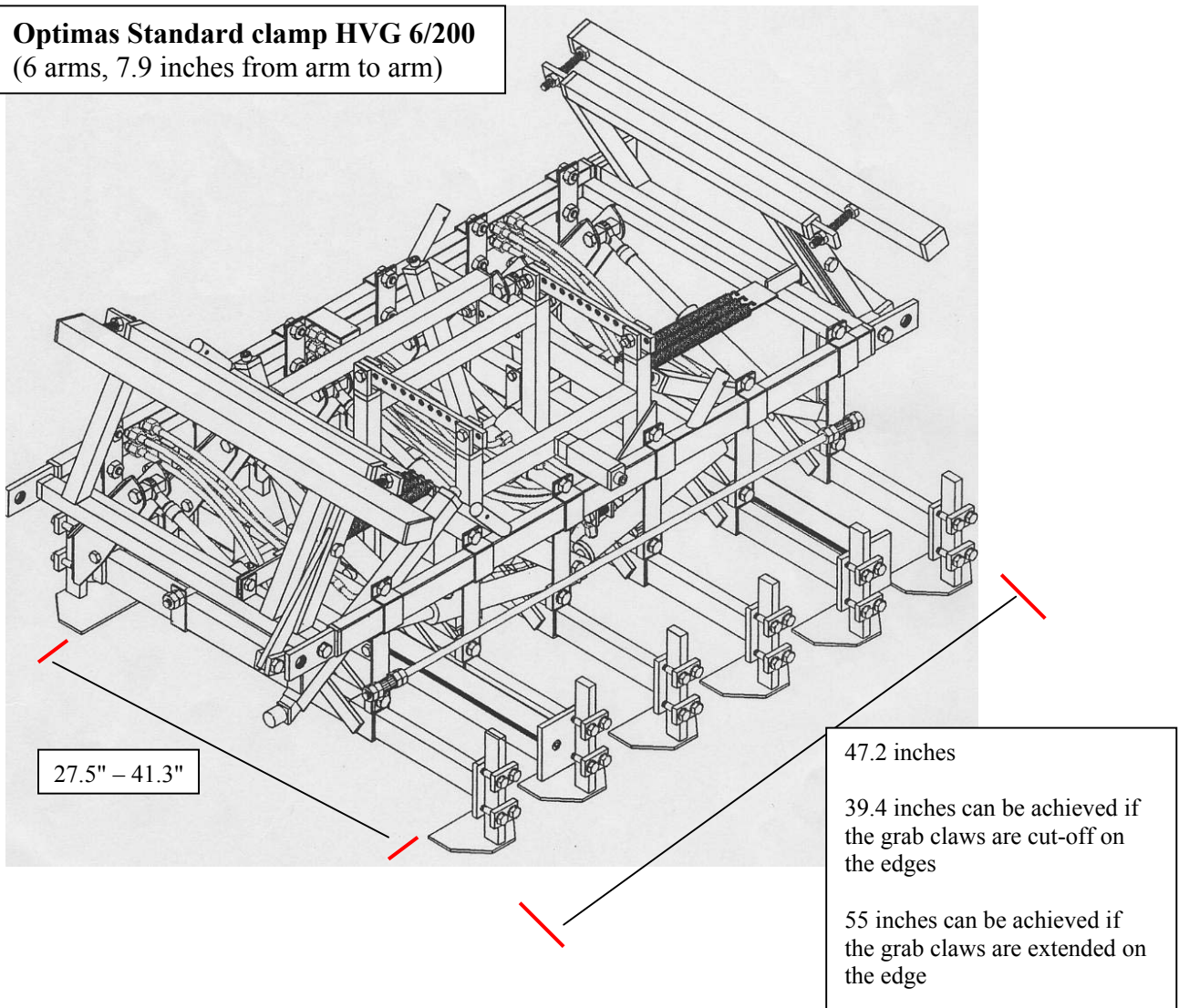


Optimas Paver Clamp „Easy1“
(2 gripper arms with 1 cylinder)





Optimas Standard clamp HVG 6/200
(6 arms, 7.9 inches from arm to arm)



With these „Standard Clamp“ dimensions we are able to grab 95 % of all different types of paving stones in Germany.