



Tiger Machine Company

QUALITY PARTS & COMPONENTS MOLDS & MOLD PARTS

TIGER molds are made to meet or exceed the highest standards of the industry. Above and beyond what any other manufacturer offers. At TIGER we deliver molds and mold parts to our customers that are on time and available at a reasonable price, and our products are designed, manufactured and assembled to the highest standards possible. Our number one job is to make the overall quality and durability of our molds the best it can be.

TIGER produces molds for seven (7) distinct series of concrete products machines. That is 26 models in all. We also manufacture equipment built by other companies in the Americas, Europe and Asia.

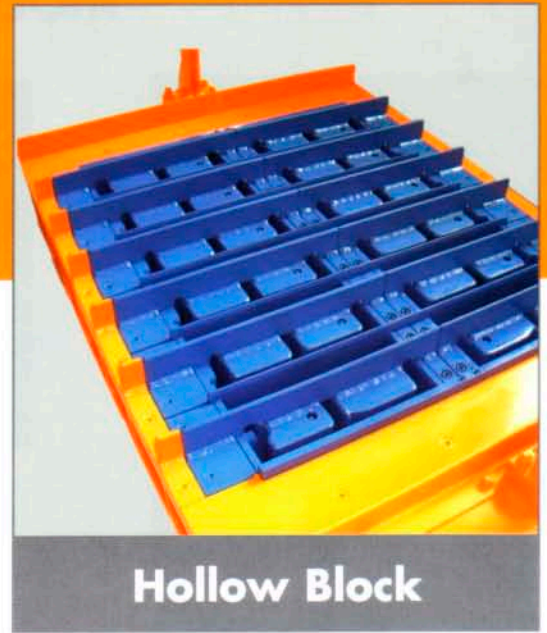
Our mold range is very extensive covering tens of thousands of concrete products such as: common masonry like block & brick, paving stone, patio stone, segmental retaining wall products, fencing units, other landscape products, architectural products, antiqued products, specialty and unique applications products, curbstones, environmental units, various hardscape products, and many others.

Our molds are innovative and versatile, capable of making the highest quality concrete products when paired with a TIGER concrete products machine. Further, we can custom manufacture molds for virtually any other major machinery in the industry.

Our extensive use of special steels/alloys, tight manufacturing tolerances, material hardening heat treatment and other processes such as oil quenching set our molds apart from others in the industry. Unique mold accessories like Core Pullers, electrically heated demolding shoes and movable component molds are available from TIGER as well.

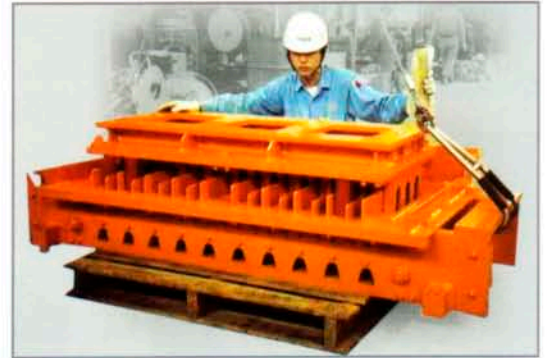
For your mold needs, look no further than TIGER! Contact your TIGER representative or nearest office. We are here to help with your success.

No matter what type of mold you require, TIGER has a solution for all your needs!

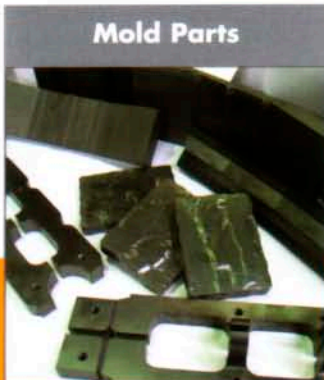


Hollow Block

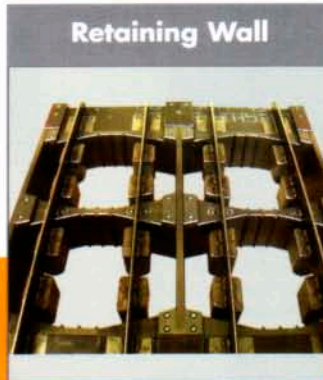
For All Your Mold Needs



TIGER is best!



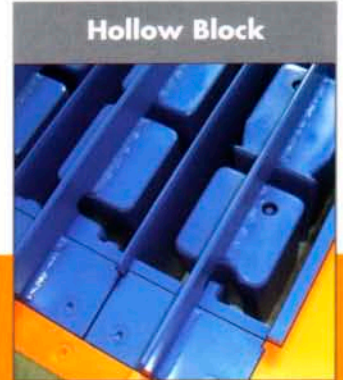
Mold Parts



Retaining Wall



Specialty Molds



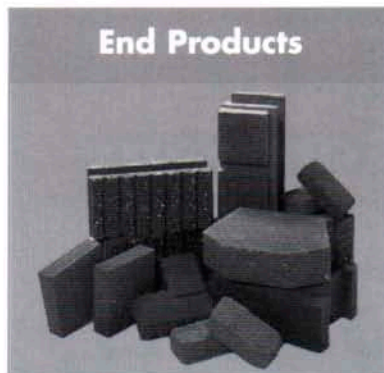
Hollow Block

Leadership through innovation.

Block



End Products



Hardscape



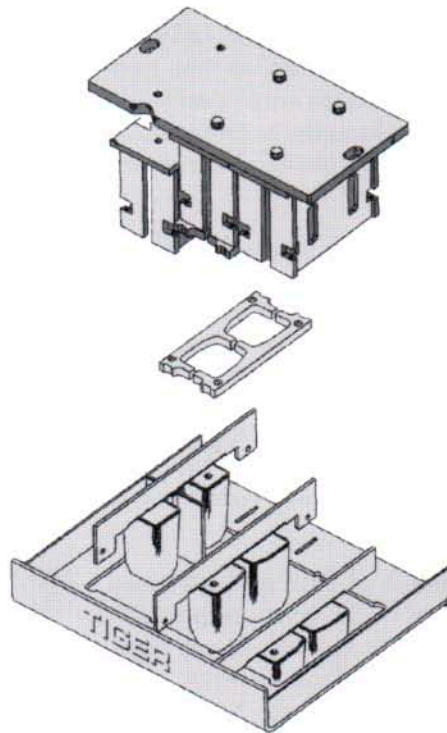
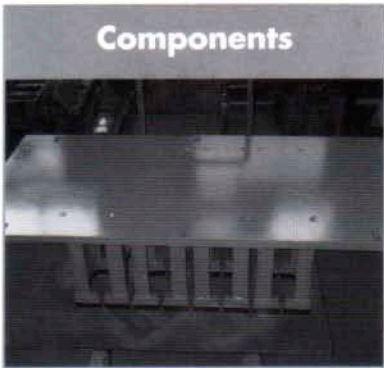
Environmental



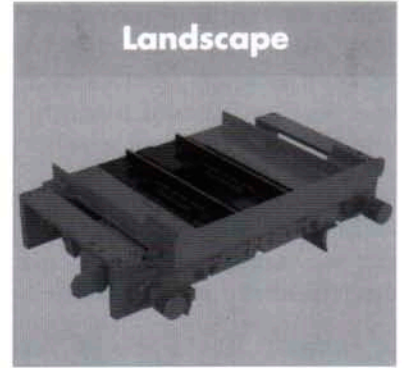
Patio Stones



Components



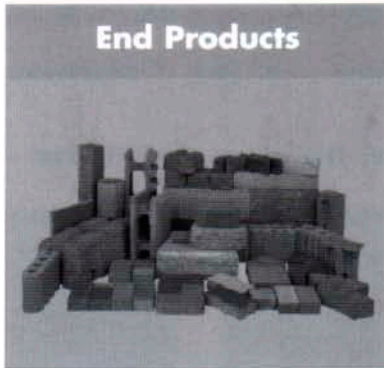
Landscape



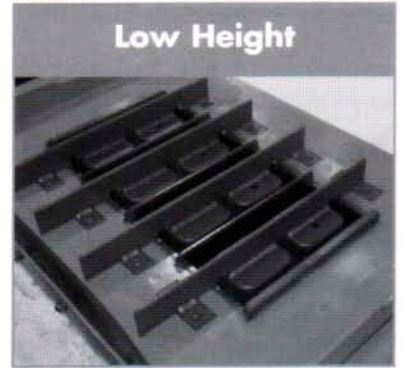
Paver



End Products



Low Height



NATIONAL
CONCRETE MASONRY
ASSOCIATION

Tiger International, Inc.

Worldwide Sales

PO Box 2288 • Portage, MI 49081-2288 – U.S.A.

Phone: 269.353.8722 • Fax: 269.353.8723

www.tigermachine.com



Tiger Machine Co., Ltd.

World Headquarters

2327 Abe Ochiai-Cho, Takahashi-Shi
Okayama-Ken, 716-0061 – Japan

Phone: +81-866-22-2927 • Fax: +81-866-22-2844



Pathfinder Systems

Canada and U.S. Sales

695 Ottawa Beach Road • Holland, Michigan 49424
Phone: 616-395-8447 • Fax: 616-395-5995